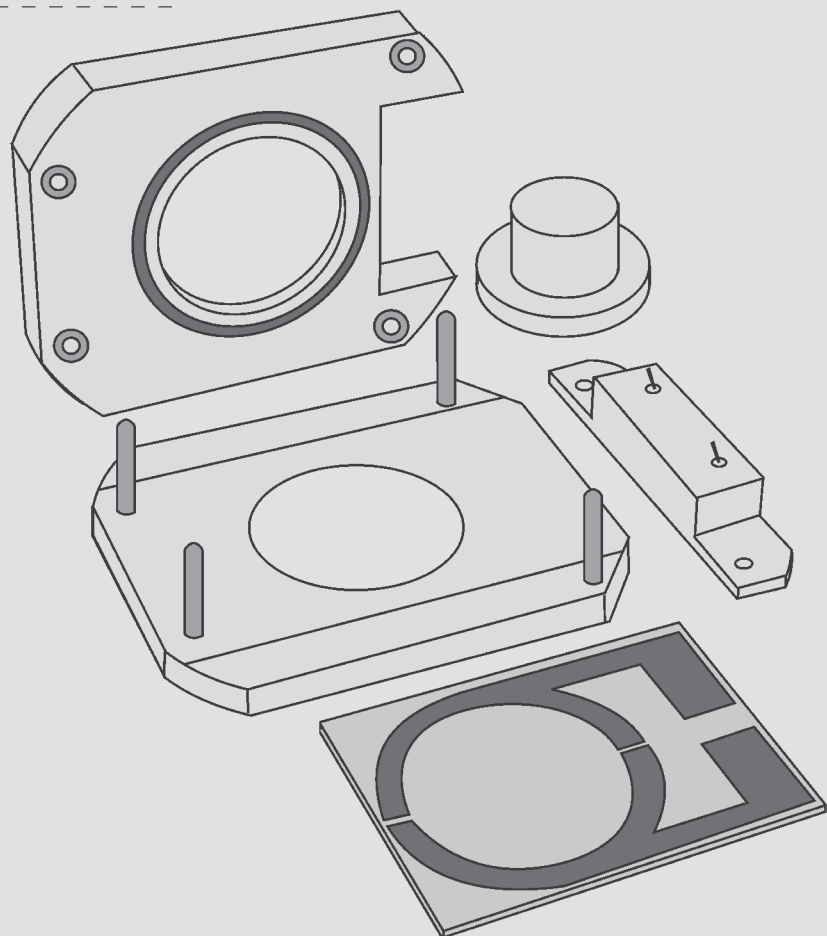


Autoclavable Electrofusion Chamber

 celica biomedical

Autoclavable Electrofusion Chamber made of Biocompatible materials

We developed an autoclavable electrofusion chamber, more precisely, a chamber for fusion of biological cells in electric field. The product consists of the construction of the electrofusion chamber, which can be reused. The chamber consists of a top part (in two pieces), bottom part, glass plate with electrodes, O-ring, a cover and nuts and bolts. All parts can be autoclaved separately and the assembly of the electrofusion chamber can be performed in a simple and straightforward way in a laminar hood from the sterile parts. By modifying the top part of the chamber the surface area can be changed and adjusted to the volume of cell suspension. Parts of the chamber are made of biocompatible materials it is therefore suitable for the preparation of cell vaccines from human cells.





celicabiomedical

Tehnološki park 24, SI-1000 Ljubljana, Slovenia

Tel. +386 (0)1 544 3604

Fax: +386 (0)1 534 70 36

e-mail: office@celicabiomedical.com

www.celicabiomedical.com

Ljubljana, January 2014.